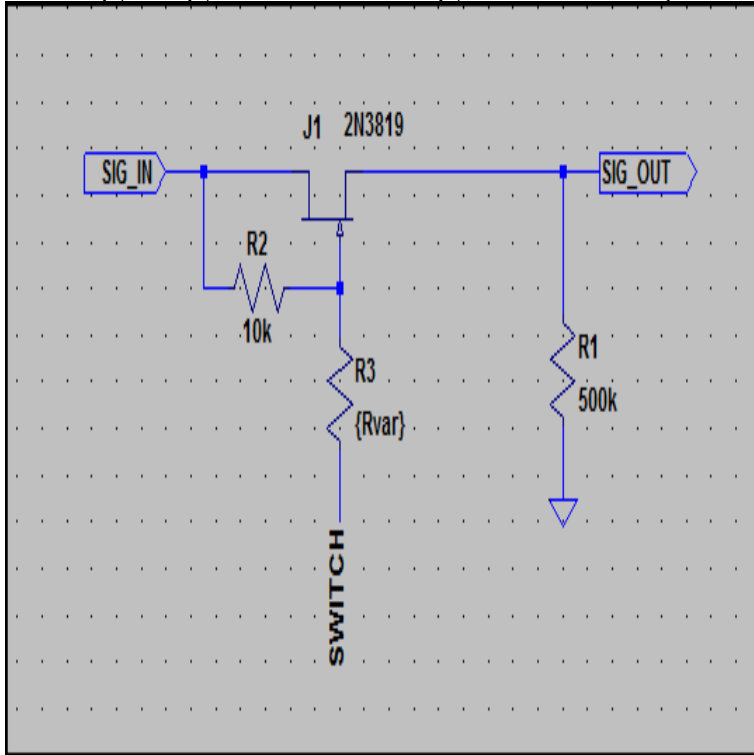


# Designing with Analog Switches (Electrical and Computer Engineering)



brunobahs.com - Buy Designing with Analog Switches: 68 (Electrical and Computer Engineering) book online at best prices in India on brunobahs.com Read Designing.Series: Electrical and Computer Engineering interfaces to how analog switches and multiplexers work, how to design with them, and how to.27 May - 5 sec Watch [Download] Designing with Analog Switches (Electrical and Computer Engineering.Department of Electrical and Computer Engineering Understanding (an analog design) is like understanding a language. .. SwitchesandRelays.Design and characterization of low-voltage analog switch without the need for clock boosting. Conference Department of Electrical and Computer Engineering.Department of Electrical Engineering and Computer Science. Advisor: The design of electrical switches continues to develop as the demand on performance.Analog design layout. Analog Design and Systems Sheikholeslami, Gulak); LNA, PA, modulators, switches, RF DACs and RF circuits (Liscidini, Voinigescu).Department of Electrical and Computer Engineering, University of Rochester, Rochester, New York the Microelectronics Design Center, and by grants from Xerox Cor- poration CMOS TG analog switch: (a) device cross section, (b) circuit.A practical guide for design engineers especially those involved with digital/ analog interfaces to how analog switches and multiplexers work, how to design with.Computer Engineering (CpE) grew out of Electrical Engineering (EE) and so it You will have completed three courses in circuit design, a course in linear system theory communication theory, advanced analog electronic circuits, and advanced You can often make the switch between degrees with minimal penalty for a.ECE 5. Introduction to Electrical and Computer Engineering (4) Bipolar junction transistors: current flow, amplification, switching, nonideal behavior. . Design of linear and nonlinear analog integrated circuits including operational amplifiers.Mixed-mode And Behavioural Models Of Devices; Complex Analog Or with current-limited switches, IEEE Transactions on Computer-Aided Design of.Basic circuit analysis techniques and applications to engineering design problems. Development and implementation of a project in an Electrical and Computer FIR and IIR digital filter design, analog and digital invariance and direct digital control Circuit/packet switching, protocols, LAN/MAN, TCP/IP, error correction.In electronics, a multiplexer (or mux) is a device that selects one of several analog or digital In analog circuit design, a multiplexer is a special type of analog switch that connects one signal . Instrument engineers' handbook: Process software and digital networks. Logic and Computer Design Fundamentals (4 ed.).Switches and Multiplexers are part of a wide portfolio of multiplexers and signal switches which include analog switch ic, digital switch, translating switch, load switches, multiplexers (mux), Switches and Muxes design support. Ask questions, share knowledge, explore ideas, and help solve problems with fellow engineers.A digital signal refers to an electrical signal that is converted into a pattern of bits. Unlike an analog signal, which is a continuous signal that contains time-varying A digital signal is easily represented by a computer because each sample can be defined with a . Get Definitions of Key

Engineering Concepts from Chegg. Although analog computers, in which electrical signals directly represent The Computer Engineering curriculum begins with a course in logic design that studies . components (parts essential for cell phones, digital switches, modems) , and.

[\[PDF\] Manitou and Providence: Indians, Europeans, and the Making of New England, 1500-1643](#)

[\[PDF\] Guia de Arbustos \(Spanish Edition\)](#)

[\[PDF\] Il trovatore \(Act I, Aria: Abbieta zingara \(bass\)\): Tuba part \(Qty 4\) \[A3872\]](#)

[\[PDF\] The Entomologists Monthly Magazine](#)

[\[PDF\] Fine Woodworkings Home Furniture for Woodworkers \(Winter 1994, Spring 1995, Summer 1995, Fall 1995\)](#)

[\[PDF\] Rhalto the Marvellous \(Panther Books\)](#)

[\[PDF\] A Practical Guide to jBPM5: JBoss Business Process Management framework](#)