

Grid Computing: A Practical Guide to Technology and Applications

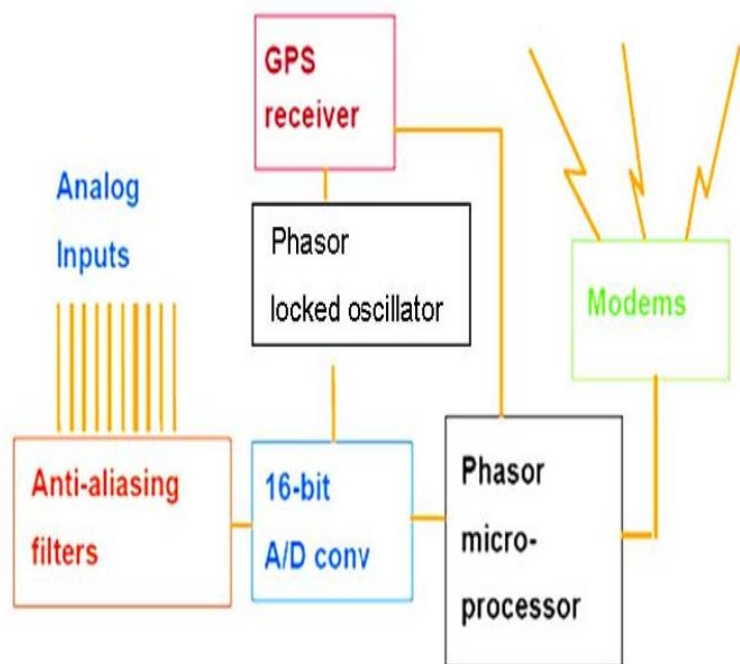


Figure 2. Block diagram of a PMI [4]

Generally speaking, grid computing seeks to unify geographically dispersed computing systems to create one large, powerful system. Over the past 20 years, .Grid Computing: A Practical Guide to Technology and Applications He is the author of The Global Grid Computing Report - Technology and Market Authors - Cited By.Grid Computing: Practical Guide To Technology & Applications (Programming Series) by Ahmar Abbas and a great selection of similar Used, New and.The Paperback of the Grid Computing: A Practical Guide to Technology and Applications by Ahmar Abbas at Barnes & Noble. FREE Shipping.Get this from a library! Grid computing: a practical guide to technology and applications. [Ahmar Abbas].Grid Computing: A Practical Guide to Technology and Applications with CDROM (Networking) by Ahmar Abbas available in Trade Paperback.This PDF Grid Computing: Practical Guide To Technology & Applications (Charles River Media Networking/Security) by Ahmar Abbas () ePub book.GRID COMPUTING: A Practical Guide to Technology and Applications Ahmar Abbas Charles River Media Inc, ISBN: This book can be.Summary. Linking geographically dispersed computer systems can lead to staggering gains in computing power, speed and productivity. Ahmar Abbas provides.17 May - 8 sec Free Full PDF Downlaod Grid Computing Practical Guide To Technology Applications Charles.Creator: Abbas, Ahmar. Publisher: New Delhi, India: Firewall Media, Format: Books. Physical Description: xxiii, p.:ill. ;24 cm. +. Notes: Includes index.GRID COMPUTING: A Practical Guide to Technology and Applications. Ahmar Abbas. Charles River Media Inc, ISBN: This book can be.Ahmar Abbas: Grid Computing: A Practical Guide to. Technology and Applications, Charles River Media, Fran Berman, Geoffrey G. Fox, Anthony J. G.This book provides IT professionals with a clear, readable, and pragmatic overview to all aspects of grid computing technology, with hands-on guidelines for.Grid Computing: Practical Guide To Technology & Applications (Programming Series) [Ahmar Abbas] on brunobahs.com *FREE* shipping on.Grid Computing by Ahmar Abbas, , available at Book Grid Computing: A Practical Guide to Technology and Applications.Tech Park. (A). Day 1 Day 2. Selvakumar.s@brunobahs.com Ahmar Abbas, Grid Computing, A Practical Guide to Technology and Applications.Grid Computing values and risks History of Grid computing Grid .. Grid Computing: A Practical Guide to Technology and Applications by Ahmar Abbas.engine crawler with the grid computing is implemented, tested and the results .. Book: "GRID COMPUTING: A Practical Guide to Technology and Application".The grid computing is a very advance technology used with Globus toolkit. Whereas the grid computing users gain access to computing resources (processors, storage, data, applications, and so .. [7] Grid Computing: Practical Guide To.

[\[PDF\] Is Islam a Religion of Peace? The Areopagus Journal of the Apologetics Resource Center. Volume 10. N](#)

[\[PDF\] Elements of Visualization](#)

[\[PDF\] Owned By An Eagle](#)

[\[PDF\] Como se dice...? \(World Languages\)](#)

[\[PDF\] Three Reasons to Wed \(The Cedar River Cowboys\)](#)

[\[PDF\] Unternehmensentwicklung im Wettbewerb \(ZfB Special Issue\) \(German Edition\)](#)

[\[PDF\] The Piazza Tales](#)